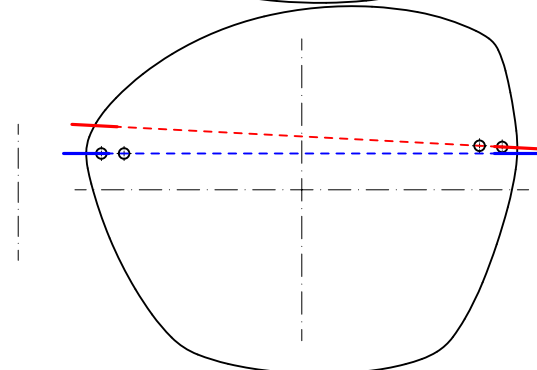
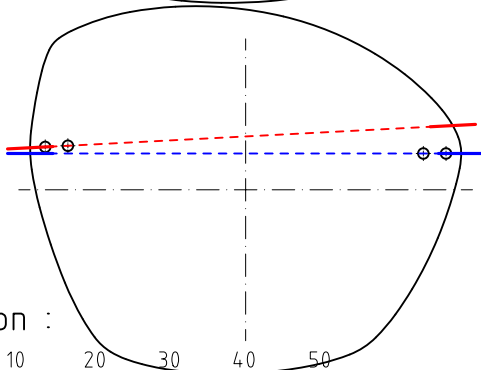
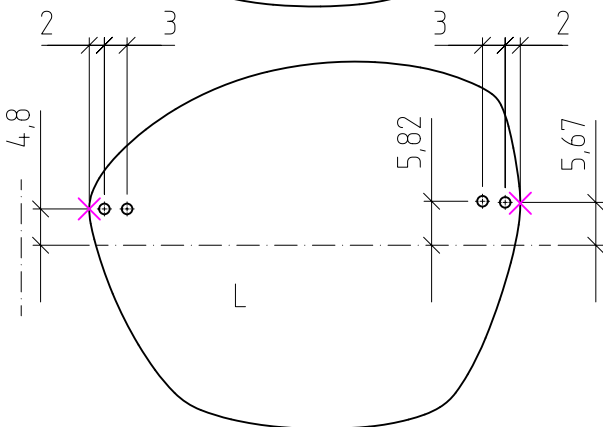
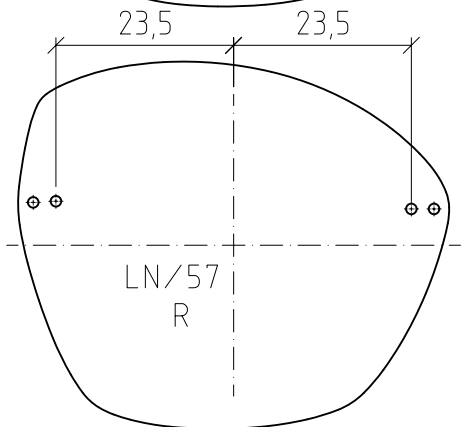
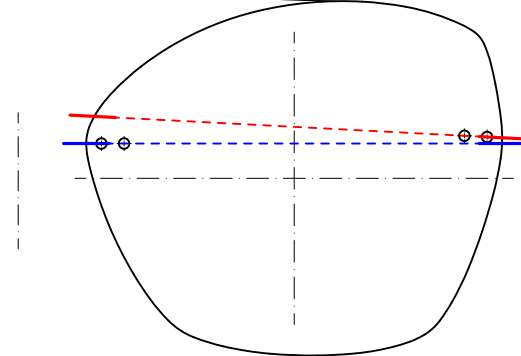
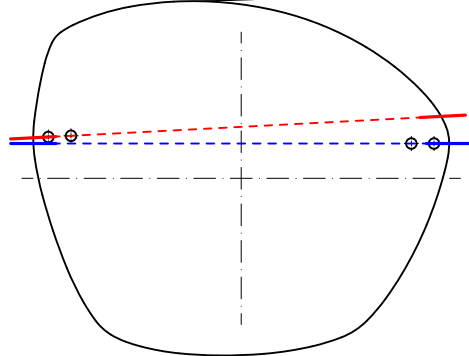
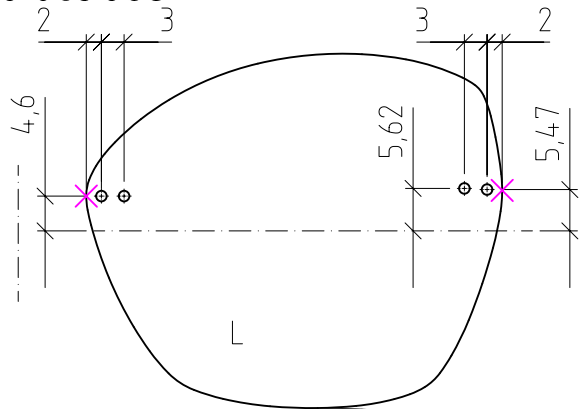
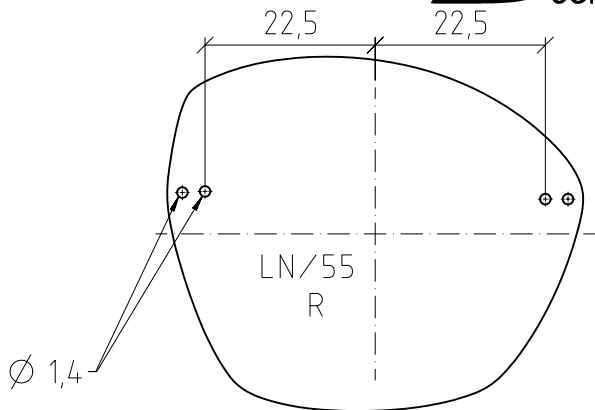
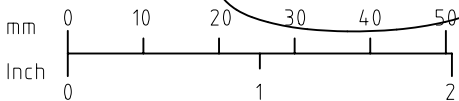


# Silhouette



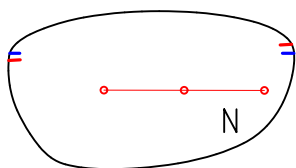
Attention :



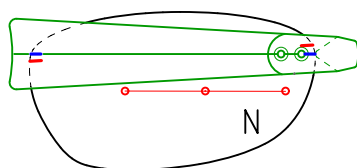
Please check length

× = Reference Point

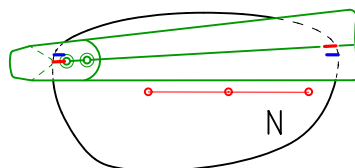
## INSTRUCTIONS



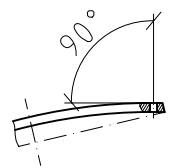
Marked Lens



Drilling Jig affixed NASAL



Drilling Jig affixed TEMPORAL



Drilling angle